

Package Contents

- AP Back Cover
- Mount Base
- (x1) 7mm Phillips Head Screw
- (x1) T8H Torx Security Screw (for optional use)
- 5cm Ethernet Cable
- (x2) 12mm T8H Torx Security Screw
- *205H-MNTR Desk Mount Kit Installation Guide*

Introduction

The 205H-MNTR Desk Mount Kit is a stand-alone mount for the 205H access point, equipped with an Ethernet cable which allows access to the E0 uplink port on the bottom of the access point (E0/PT port) when the desk mount is attached to the access point (AP).

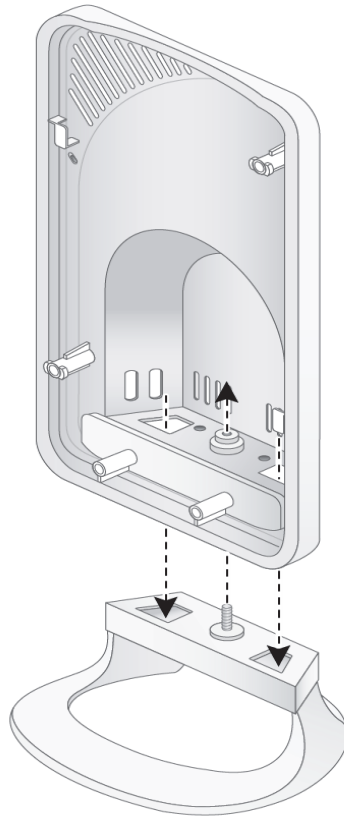
Installing the AP-205H-MNTR

1. Set the mount base on a flat surface, aligning the circular cutout at the top, with the corresponding indentation at the bottom of the AP back cover. Attach the two pieces by pressing the access point back cover onto the base (see [Figure 1](#)).
2. Turn the mount upside down and insert the 7mm Phillips head screw into the hole at the center of the base, then tighten until the AP back cover is securely fastened to the base.



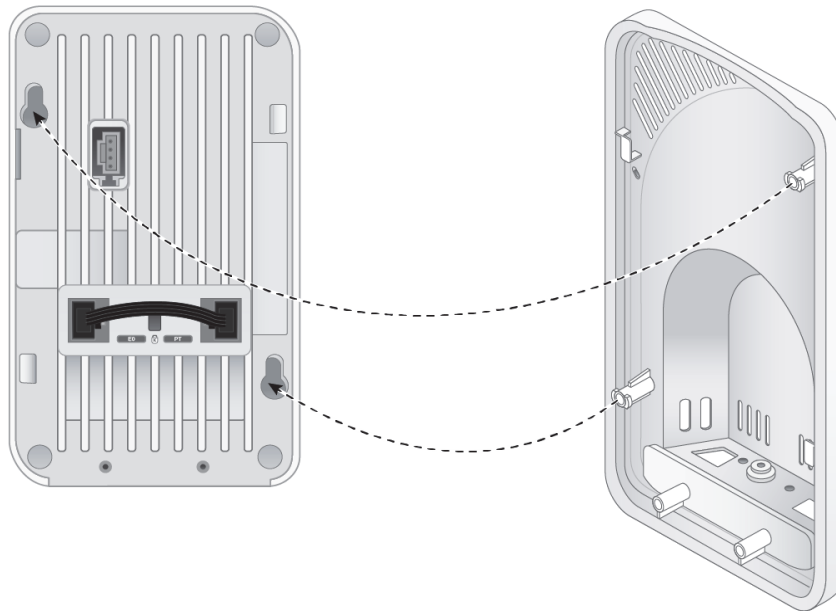
The 7mm T8H Torx security screw provided may be used in place of the Phillips head screw in Step 2.

Figure 1 Attaching the AP Back Cover to the Mount Stand



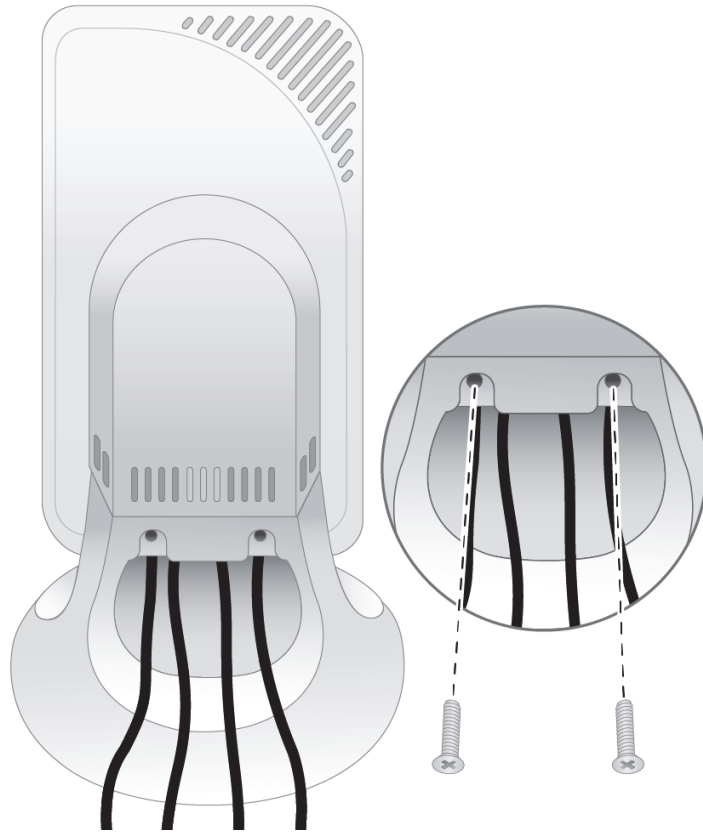
3. Insert the ends of the Ethernet cable into the E0 and PT ports on the back of the access point, as shown in [Figure 2](#).

Figure 2 Securing the AP onto the AP Back Cover



4. Match the slots on the back of the access point with the corresponding posts on the back cover (see [Figure 2](#)). Press the access point into the cover then pull down gently until the posts lock into place.
5. (Optional) Insert the two 12mm T8H Torx security screws into the holes on the back of the base, as indicated in [Figure 3](#), then tighten until the access point is firmly anchored into the back cover.

Figure 3 Anchoring the AP into the Mount with Cables Routed Through the Base



6. Connect the Ethernet cables into the ports at the bottom of the access point and route through the back of the base, as shown in [Figure 3](#).
7. (Optional) If using a DC power adapter (AP-AC-48V36 sold separately) plug the adapter into the side of the access point.



0511761-03